



# AMP® Low Voltage Landscape Lighting

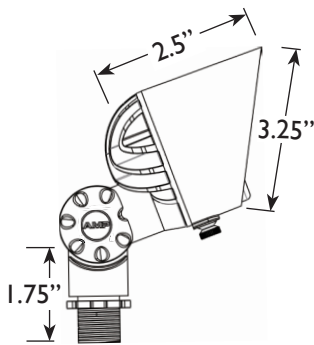
## AMP® ONE ControlPro™ G2 LED Spotlights

### Product Description

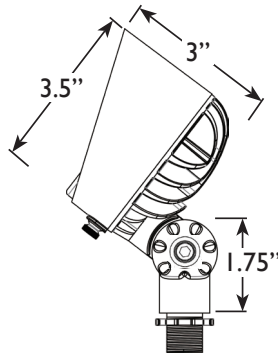
AMP® ONE ControlPro™ G2 Spotlights are the flagship product of AMP® lighting. The line consists of three models that vary in lumen output and size. All models are IR dimmable using the AMP® ONE Design-Master™ Remote Control. The user can select one of 6 preset light levels or fine-tune the levels from 2% to 100%. All models have interchangeable optics. The lenses are easily swapped in the field to achieve different beam angles. All fixtures have a 60° lens installed and include a 35° lens in the box. Other options are available on the website to order separately. These integrated Single-source LED fixtures are constructed with solid cast brass for optimal durability and heat management and backed by the AMP® lifetime warranty.



### Product Dimensions



AMP® ONE ControlPro™  
300 LED Spotlight



AMP® ONE ControlPro™  
500 and 800 LED Spotlights

### Specifications

- ▶ **Construction:** Cast brass
- ▶ **Finish:** Antique bronze
- ▶ **Lead Wire:** 25' UL approved 18AWG, SPT-1 copper wire
- ▶ **Mounting Orientation:** Uplight only
- ▶ **Light Source:** Integrated Single Source CREE LED with 4 step binning
- ▶ **Lens:** Clear, flat glass
- ▶ **Beam Spread:** Ships with 60° (installed) and 35° optic
  - (17° and 24° optics available for the AMP® ONE ControlPro™ G2 800 & 500 LED Spotlights)
- ▶ **Color Temperature:** 2700K
- ▶ **Color Rendering Index:** 80+
- ▶ **Life:** 60,000 hours L70
- ▶ **Operating Voltage Range:** 6-18VAC, with decreased lumens under 11V
- ▶ **Powered by:** AMP® low voltage transformers

### Features & Benefits

- ▶ **Solid Cast Brass Construction**
  - Resistant to corrosion
  - Will not break or bend
  - Weathers to a beautiful patina
- ▶ **Non-Serated Adjustable Knuckle for Maximum Adjustability**
  - Non-Corroding stainless steel knuckle screw
  - Ships with wrench tool to adjust
- ▶ **Adjustable Glare Guard**
  - Prevents direct glare, light trespass and light pollution
- ▶ **High Performance CREE LED Chips and Engine**
- ▶ **Interchangeable Optics for Adjustable Beam Spread**

### Dimming

Light levels for the AMP® ONE ControlPro™ LED Spotlights are adjusted with the AMP® ONE Design-Master™ Remote Control. Each fixture can be controlled independently to six preset levels or fine-tuned to the exact desired level.

### Warranty

Lifetime Warranty

### Certifications



Product Name	Watts (W)	Max Lumens (lm)	Amps (A)	Power Factor (PF)
ControlPro™ 300 G2 LED Spotlight	5.0	350	0.61	0.68
ControlPro™ 500 G2 LED Spotlight	7.9	500	0.89	0.74
ControlPro™ 800 G2 LED Spotlight	11.2	650	1.23	0.76

\* Lumen values variable as set by AMP® Design-Master™ Remote Control

**Specifications subject to change without notice.**